

# CONTROL SYSTEMS PRODUCT NOTICE

ANILAM®

## ANILAM Kit CNC Controls Compact Flash Addition

ANILAM is pleased to announce the addition of Compact Flash as standard equipment on the following Kit CNC systems effective June 1, 2009.

### **ANILAM CNC Kit Consoles**

**3000 COMMANDO**

**3000M**

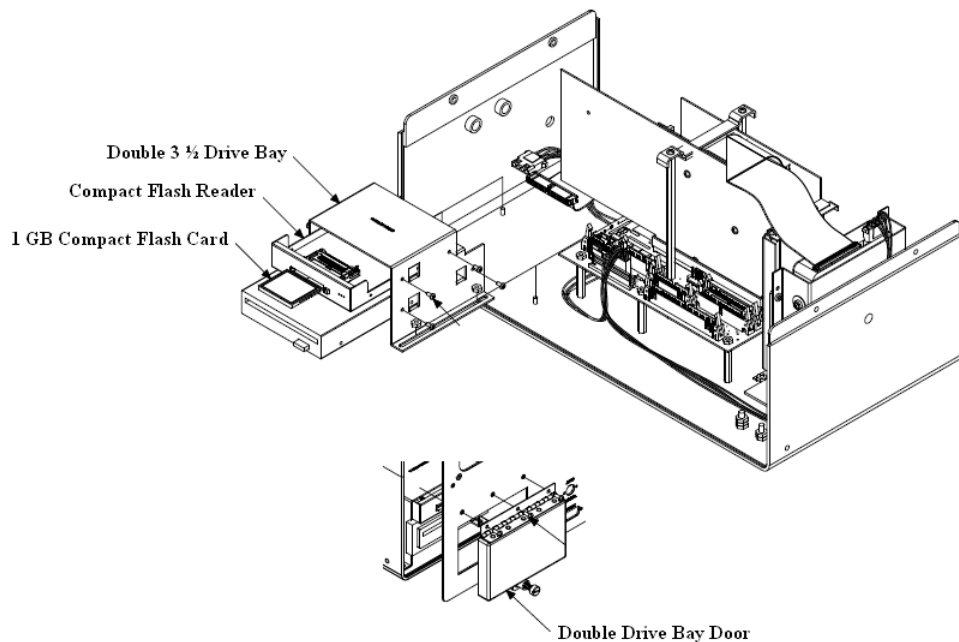
**4200T**

**5000M**

**Specifications:** Compact Flash Reader Includes 1GB Compact Flash Card.

**Location:** Console Rear panel above existing Floppy Disk Reader.

**Use:** Import & Export CNC Programs, CNC Data Backup.



**CALL TODAY TO UPGRADE YOUR EXISTING SYSTEM!**

*\*Compact flash also available on OEM style 3000M, 5000M, 4200T systems.*